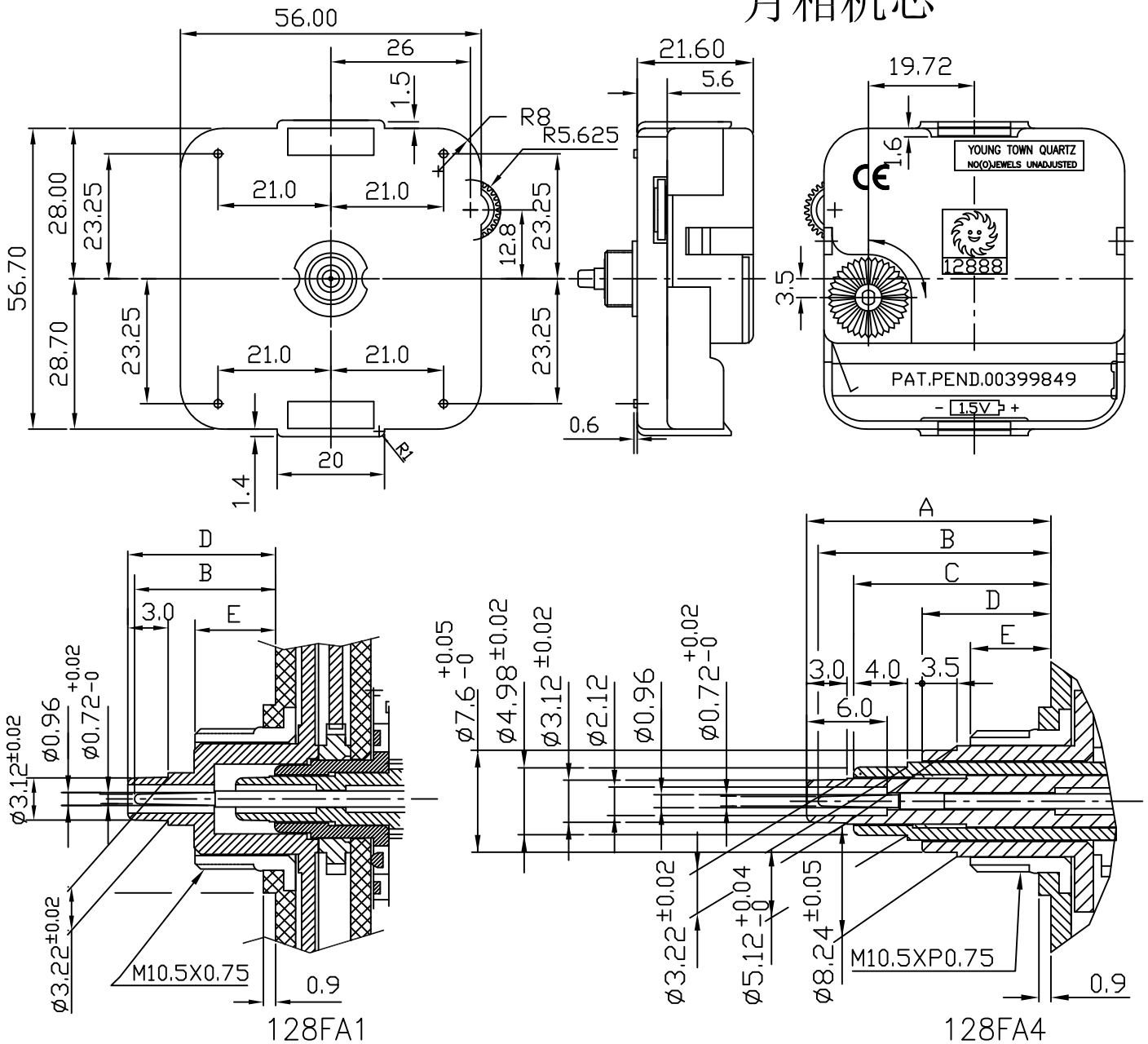


MOON MOVEMENT 月相机芯



*UNIT:m/m

TYPE NO.	A	B	C	D	E	DESCRIPTION
128FA1	-	10.6	-	11.0	6.0	MOON PHASE INDICATION BY 1 HAND
128FA4	17.9	17.1	14.4	9.9	6.0	MOON MOVEMENT FOR 4 HANDS

A-Min. B-Sec. C-Hour(24H) D-Moon E-Screw

SPECIFICATIONS

OPERATING VOLTAGE	1.3V ~ 1.7V
TIME KEEPING ACCURACY	±30SEC/MONTH AT 1.5V DC, 25°C (UNADJUSTED)
CURRENT CONSUMPTION	LESS THAN 150μA AT 1.5V DC.
TORQUE AT SECOND HAND	≤0.6 (GF-CM)
TORQUE AT MINUTE HAND	≤36 (GF-CM)
TORQUE AT MOON HAND	≤36 (GF-CM)
OPERATING TEMPERATURE RANGE	-10°C ~ 60°C