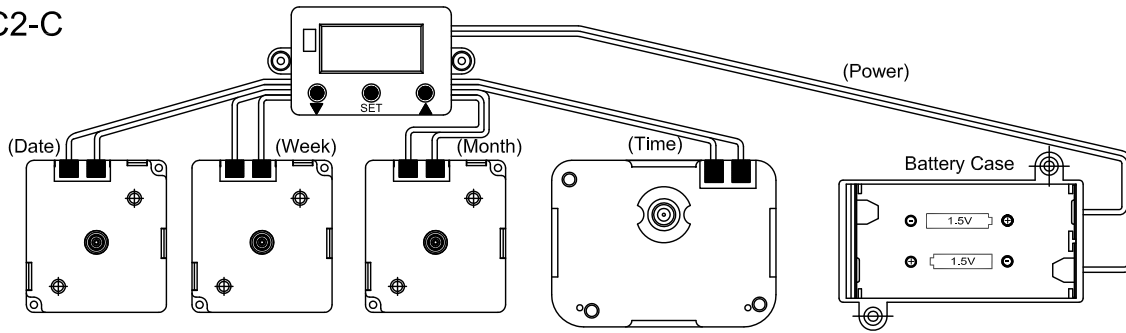
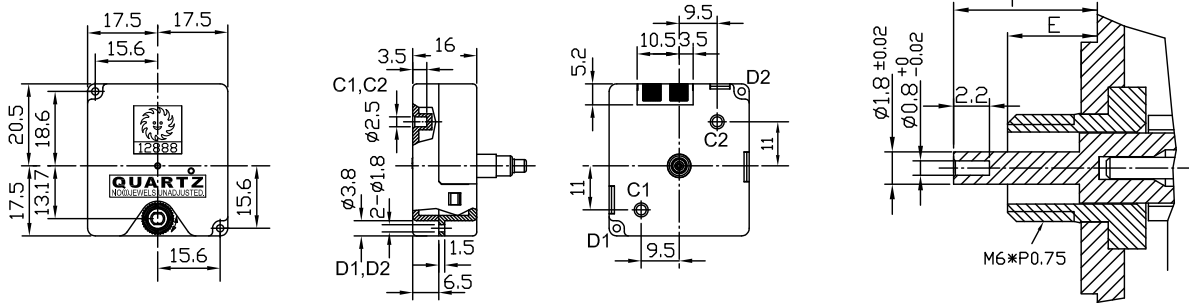


C2-C Separated Perpetual Calendar Clock Module

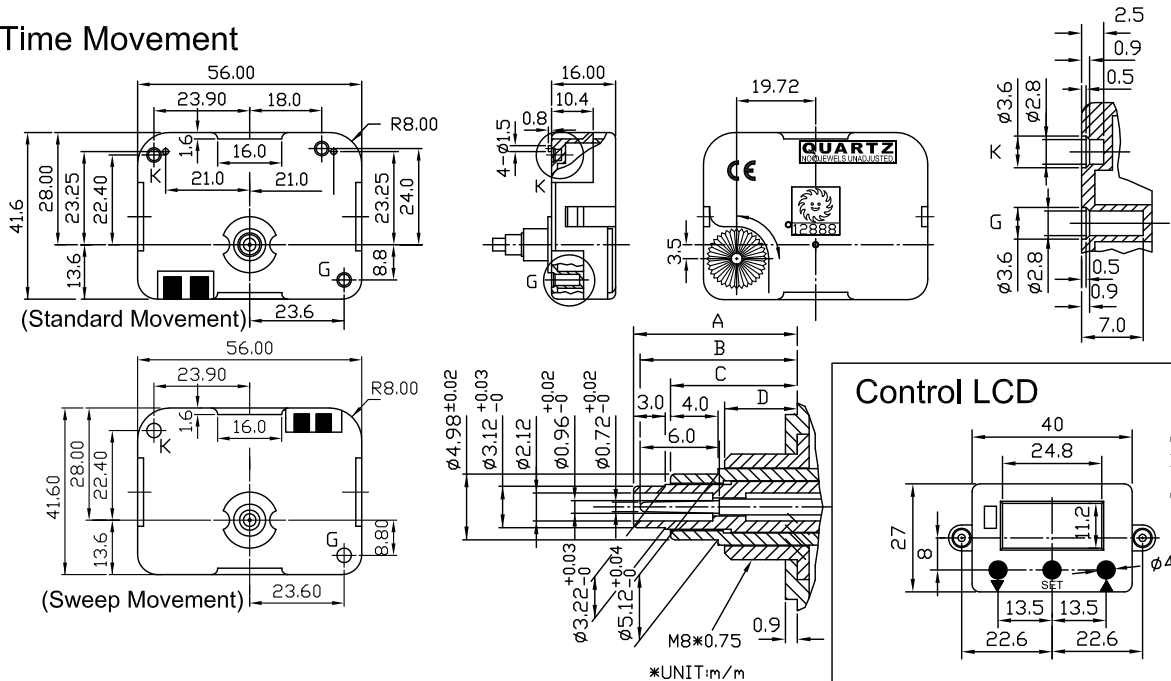
C2-C



Date/Week/Month Movements



Time Movement



TYPE	SPEC	A	B	C	D	E	F	DESCRIPTION
C2-CSC1WDM5.0		17.0	16.2	13.5	9.5	5.0	5.0	STANDARD MOVEMENT
C2-CSC5WDM5.0		20.0	19.1	16.5	12.0	5.0	5.0	AUTO WEEK,DATE, MONTH MOVEMENT
C2-CSCWDM8.0		23.5	22.7	20.0	16.0	5.0	8.0	
C2-CTC1WDM5.0		17.0	16.2	13.5	9.5	5.0	5.0	SWEEP MOVEMENT
C2-CTC5WDM5.0		20.0	19.1	16.5	12.0	5.0	5.0	AUTO WEEK,DATE, MONTH MOVEMENT
C2-CTCWDM8.0		23.5	22.7	20.0	16.0	5.0	8.0	

SPECIFICATIONS

OPERATING VOLTAGE	2.5V~3.2V
TIME KEEPING ACCURACY	±30SEC/MONTH AT 1.5V DC, 25°C (UNADJUSTED)(TIME)
CURRENT CONSUMPTION	LESS THAN 150µA AT 1.5V DC.
TORQUE AT SECOND HAND	LESS THAN 0.6 (GF-CM) (STANDARD MOVEMENT) LESS THAN 0.6 (GF-CM) (SWEEP MOVEMENT)
TORQUE AT MINUTE HAND	LESS THAN 36 (GF-CM)
OPERATING TEMPERATURE RANGE	-10°C ~60°C

Battery Case

